

# AURORALIGHT

PROJECT: \_\_\_\_\_

SKU #: \_\_\_\_\_

TYPE: \_\_\_\_\_

## ARIEL

UDW428344

The Auroralight Ariel is an amphibious IP68, directional LED luminaire. With its compact size, the Ariel is perfect for smaller water features or hiding under aquatic plants or rocks.

- Storm Drain™ Lens Drainage System
- Interchangeable PMMA Acrylic Optics from 20° to 60°
- Thermally Integrated® w/ Copper Core Technology®
- Ideal for small water features and wet areas

### CONFIGURATOR:

|  |   |  |
|--|---|--|
| UDW428344                              | LED   | FINISH   |
|  | <input type="text"/>                          | <input type="text"/>   |
| <b>( ) = Most common configuration</b> | <b>(2704) 2700K 4.5W</b><br>(3004) 3000K 4.5W | <b>(NAT) Natural Brass</b><br>(BLP) Bronze Living Patina<br>(BLPX) Extra Dark BLP<br>(NI) Nickel PVD |

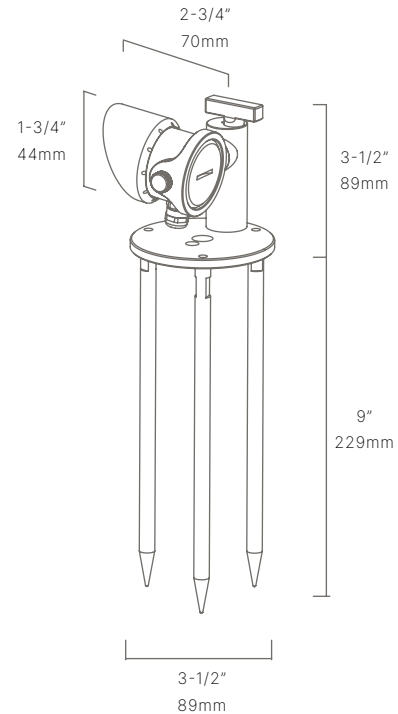


### AVAILABLE FINISHES:



|                    |                                    |
|--------------------|------------------------------------|
| FIXTURE DIMENSIONS | H12-1/2" x W3-1/2"                 |
| LIGHT SOURCE       | Integrated LED                     |
| COLOR TEMPERATURES | 2700K, 3000K                       |
| WATTAGES           | 4.5W                               |
| CRI (RA)           | 80 CRI                             |
| VOLTAGE            | 12V                                |
| DELIVERED LUMENS   | 335lm (3000K)                      |
| DIMMABLE           | Yes, Dim to <10% via Transformer   |
| DRIVER             | Yes, 12V Integral Constant Current |
| TRANSFORMER        | 12V AC/DC (Supplied by others)     |
| MOUNT              | Included CAM-LOC™ Stand w/ Spikes  |
| ACCESSORIES        | Yes, Included 60° Glare Shield     |
| OPTICS             | Yes, Included 20°, 40° & 60°       |
| FINISH             | Included Natural Brass             |
| MATERIAL           | Brass                              |
| WIRE LENGTH        | 24'                                |
| LOCATION           | Interior & Exterior Wet            |
| CERTIFICATIONS     | UL, IP66, IP67, IP68               |

\*For complete warranty terms, please visit: [www.auroralight.com/warranty/](http://www.auroralight.com/warranty/)



P. 760.931.2910

O. 2742 Loker Ave. W Carlsbad CA 92010

W. [www.auroralight.com](http://www.auroralight.com)

MADE IN USA  
WITH DOMESTIC & IMPORTED MATERIALS



# AURORALIGHT

PROJECT: \_\_\_\_\_

SKU #: \_\_\_\_\_

TYPE: \_\_\_\_\_

## ADD-ONS

### ACCESSORIES

GS012

90° Glare Shield

P. 760.931.2910

O. 2742 Loker Ave. W Carlsbad CA 92010

W. [www.auroralight.com](http://www.auroralight.com)

MADE IN USA  
WITH DOMESTIC & IMPORTED MATERIALS

